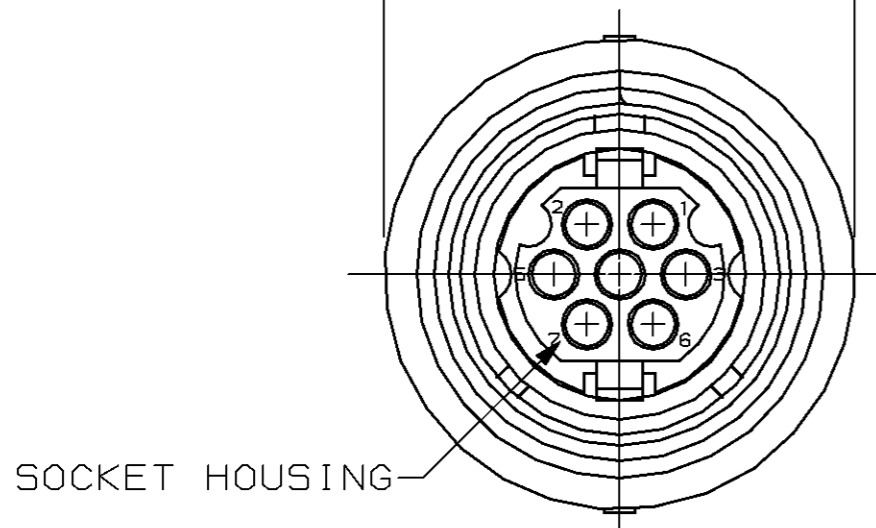


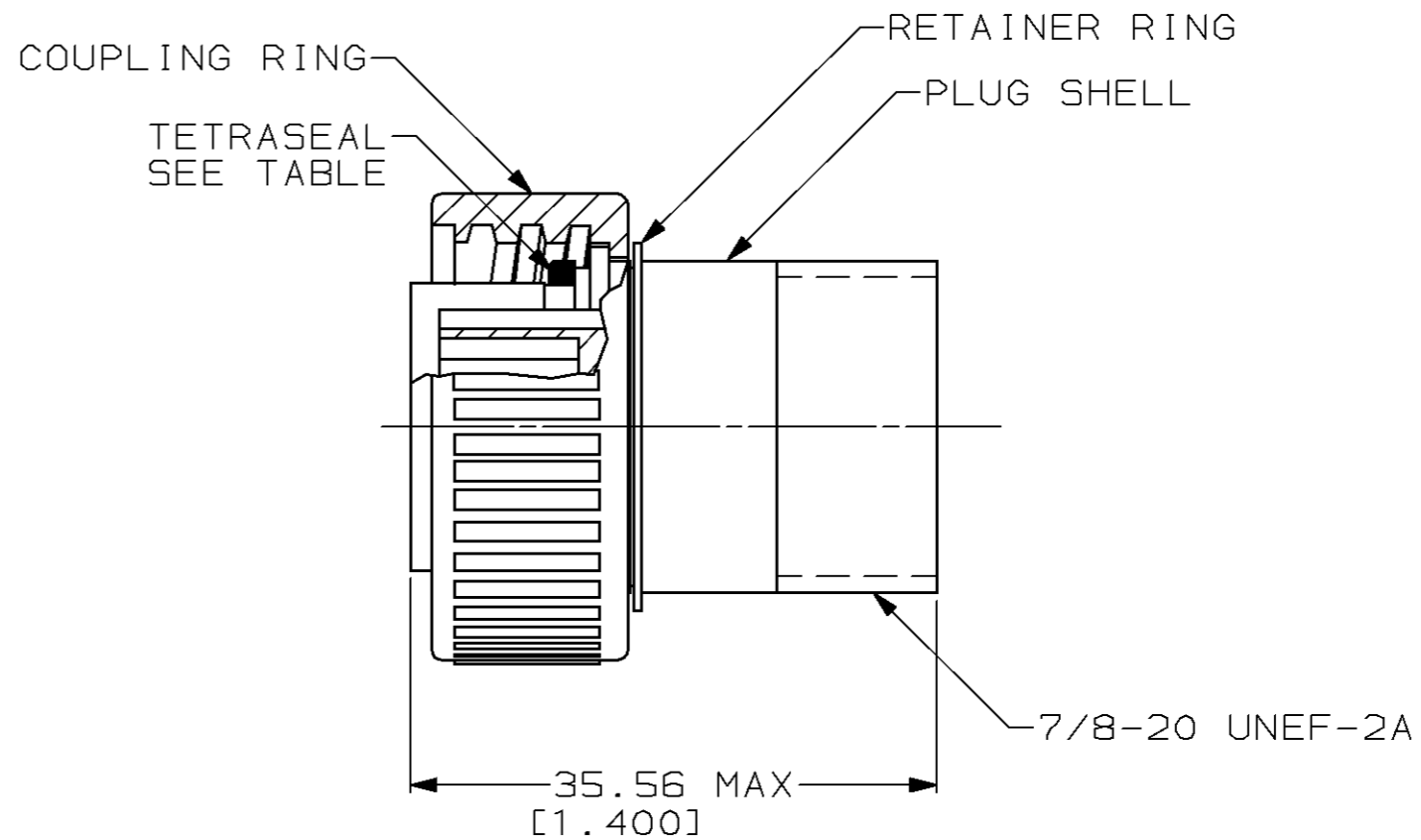
THIS DRAWING IS UNPUBLISHED. RELEASED FOR PUBLICATION, 19 .
 © COPYRIGHT 19 BY AMP INCORPORATED. ALL INTERNATIONAL RIGHTS RESERVED.

LOC	DIST	P	F	REVISIONS				
				ZONE	LTR	DESCRIPTION	DATE	APPD
BD	35				F	REDRAWN W/O CHANGE PER EC 0020-569-94	05/20/94	-
					G	SUPSD -2 & REV PER EC 0020-1080-95	17 OCT 95	RB
					H	REV AND REACTIVATE -2 PER EC 0020-419-96	07 MAY 96	AWF

31.12±0.38 DIA
 [1.225±.015]



SOCKET HOUSING



- THIS CONNECTOR ACCEPTS SEVEN (7) SIZE 16 MULTIMATE SOCKET CONTACTS, MAXIMUM WIRE INSULATION DIA = 2.67 [1.05].
- THIS CONNECTOR MATES WITH AMP PART NUMBER 208715-1.
- AMP PART NUMBER AND DATE CODE TO BE LOCATED ON COUPLING RING.
- NICKEL PER QQ-N-290 OVER COPPER PER MIL-C-14550.
- ZINC PER QQ-Z-363.

YES	208714-2
NO	208714-1
SEAL	PART NO

DO NOT SCALE PRINT. UNLESS SPECIFIED DIMENSIONS IN mm [INCHES]		DR 05/23/94 D.HARDY		AMP Incorporated Harrisburg, PA 17105-3608	
TOLERANCES ON: 2 PLC DEC ± - 3 PLC DEC ± - ANGLES ± -		CHK 05/24/94 C.DORWART			
MATERIAL SKT HSG: TERMOPLASTIC, BLACK SEAL: FLUOROCARBON ELASTOMER RTNR RING: STAINLESS STEEL CPLG RING: Δ PLUG SHELL: Δ		APPD 07/13/94 A.FRANTUM		NAME PLUG ASSEMBLY, STANDARD SEX, SERIES 1, 14-7, CMC	
FINISH CPLG RING: Δ PLUG SHELL: Δ		APPD 07/13/94 A.FRANTUM		SIZE B CAGE CODE 00779 DRAWING NO C=208714	
THIS DRAWING IS A CONTROLLED DOCUMENT FOR AMP INCORPORATED. IT IS SUBJECT TO CHANGE AND THE CONTROLLING ENGINEERING ORGANIZATION SHOULD BE CONTACTED FOR THE LATEST REVISION.		PRODUCT SPEC -		SCALE 2:1 SHEET 1 OF 1	
		APPLICATION SPEC -			
		WEIGHT -			